



Download from
Dreamstime.com

This watermarked comp image is for previewing purposes only.



ID 2468711

© Milan Surkala | Dreamstime.com

[Optiwave Optisystem 10 Crack Comm](#)

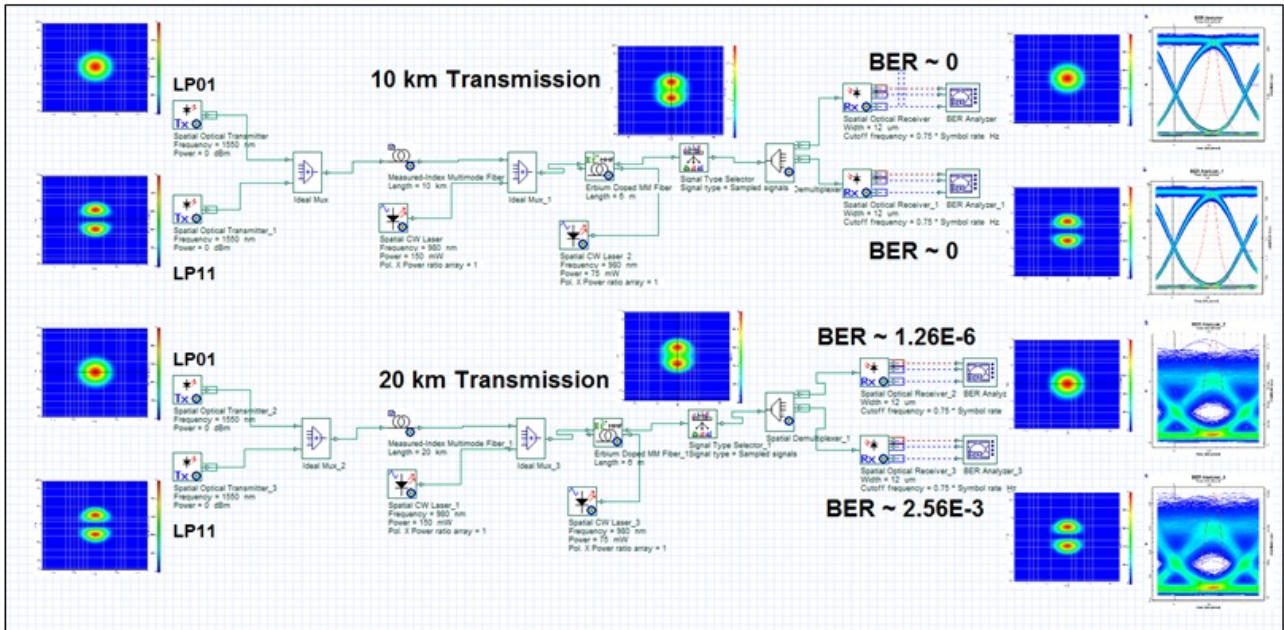


Fig 6: Spatial Mode Division Multiplexing & Amplification – Transmission of two independent spatial modes through few mode fiber and multimode amplifier. Changing the two pump signals and their spatial mode profiles allows the user to vary the gain of the two signal modes independently.

[Optiwave Optisystem 10 Crack Comm](#)



Download from
Dreamstime.com

This watermarked comp image is for previewing purposes only.



ID 2468711

© Milan Surkala | Dreamstime.com

* Lenses and aperture components that allow for manipulating the spatial distribution of optical signals.

Found results for Optiwave Optisystem 10 crack, serial & keygen Our results are updated in real-time and rated by our users.

[Logic Pro 9 Audio And Music Production: Software Free Download](#)

* Differential Mode Delay Analyzer: It transmits and receives optical pulses, automatically introduces radial offsets between transmitter and fiber, allowing for analysis of Differential Mode Delay and Pulse Width versus radial offset.. * Integration with OptiFiber that allows the users to design fibers and import the refractive index profile into OptiSystem.. g Laser-fiber coupling
* A library of multimode photodetectors and receivers that include the effects of losses due to optical misalignments.. Optiwave OptiSystem 10 0 RSS; Software Tutorial,Education Tag[7]Optiwave OptiSystem 10. [Yanmar 4lha Service Manual](#)

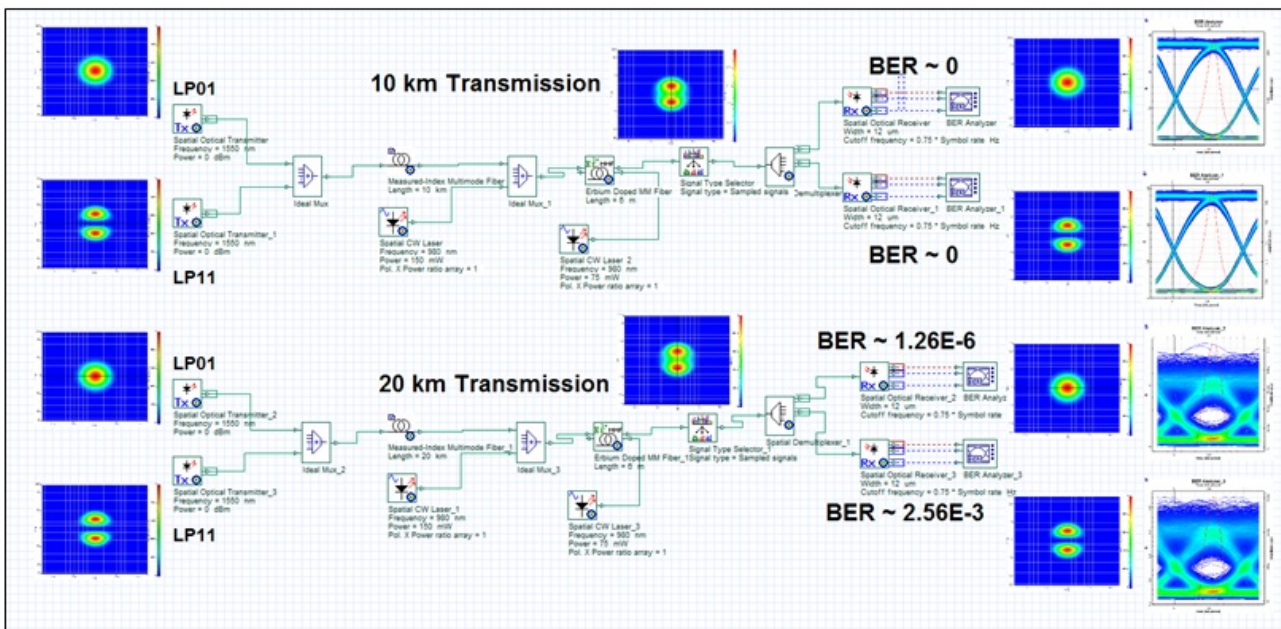


Fig 6: Spatial Mode Division Multiplexing & Amplification – Transmission of two independent spatial modes through few mode fiber and multimode amplifier. Changing the two pump signals and their spatial mode profiles allows the user to vary the gain of the two signal modes independently.

[Tiki Navigator Serial Keygen Crack](#)

[Boss Rabbit Mac Song Download Mp3](#)

Www.inshares.com New Burst Modulator and Demodulator models New MATLAB component interface New Scilab Component.. * Encircled Flux Analyzer that allows for calculating Average Radial Intensity and Encircled Flux.. 0 increases accuracy when calculating group delay for fibers with an arbitrary refractive index.. * Spatial couplers that allow for simulation of the rotation, shifts and tilts between different components, e. [Akai Mpc Software Crack Download](#)

[cdr to pdf converter download free](#)

* Measured Transverse Mode Generator: These robust components attach measured transverse mode profiles using the popular F3D format to the input signal.. * Spatial Visualizer: Displays different 3D graphs used for analysis of the spatial modes: Individual, weighted and the sum of all modes for each polarization.. Co-simulation in time, frequency and spatial domain with Scilab New FSO Channel model.. 0 Optiwave OptiSystem tutorial Optiwave OptiSystem 10 0 crack OptiSystem Multimode Edition facilitates the design, analysis and simulation of multimode fiber communication systems.. NEW VERSION OptiSystem 12 0 (June 2013) - The new version includes new transmitters, receivers and DSP components for end-to-end 16-QAM, DP-16-QAM and DP-QPSK coherent optical system design.. They also convert single mode signals to multimode signals * Measured Index Multimode Fiber: A new LP mode solver in OptiSystem 9. cea114251b [Alamat Blue Film Terbaik](#)

cea114251b

[Bootcamp Mac Windows 7 Download](#)